

## Differential, 3-way horizontal float actuated pilot-valve

The 70-610 is a 3-way, float pilot-valve that is designed for the level control valves. The float positions the pilot control to open when it reaches a preset low level, and to close drip tight when it reaches a preset high level. The difference between the low and high level can be adjusted.



## Features

- No overflow - drip tight close
- On-Off Non-modulating action
- Can be used with any hydraulic control valve of any size
- The maximum/minimum tank level is adjustable
- Can be used with external/supplementary pressure source
- Highly reliable operation
- Simple installation, easy maintenance
- Accurate and easy to adjust
- Simple design

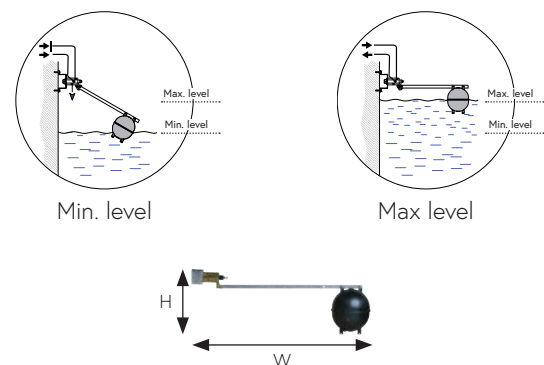
## Typical applications

- Level control - Differential control by horizontal float-pilot valve - FLDI2

## Technical data

General		
Pressure rating	25 bar / 360 psi	
Fluid temperature	80°C max. / 175°F max.	
Min. level differential	0.15 meter / 0.49 ft	
Max. level differential	0.6 meter / 1.96 ft	
Materials	Standard	Optional*
Pilot Body	Brass	SST
Internal parts	SST/Brass	SST
Float	PP	SST
Float rod	SST	
Port Connections		
2, 3, 4	NPT 1/4"	

\* other materials available upon demand



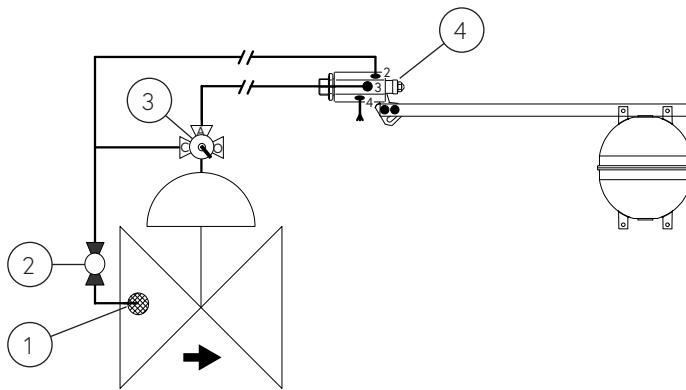
## Installation

### Main components

#	Description
1	Self flushing filter
2	Isolation ball valve
3	3-way Manual selector valve
4	70-610 Float pilot valve

### Connections

Port	
2	Upstream
3	Valve control chamber
4	Vent



FLDI2

Sample drawing. Consult Dorot for the assembly design to fit your needs.

### Catalogue numbers

Description	Catalogue number
Bracket	0026570610
Pilot kit	6617061002
Rod	4424170600
Float kit	6653070000

### Spare parts

